

DALDORADO

PARALLEL GRATE INSTALLATION INSTRUCTIONS

DPAS 12", 14" AND 16" WIDE

DPAR 10", 12", 14" AND 16" WIDE

FOR INDOOR AND OUTDOOR USE

CERTIFIED by IAPMO R&T to NSF/ANSI/CAN 50 2020

40% OPEN AREA of unrestricted flow through grating

Read carefully BEFORE installation

Installation Note: Modifying or altering grate without the written consent of Daldorado LLC will void the manufacturer's 10-year warranty.

**Product Numbers: DPAS-12, DPAS-14, DPAS-16
DPAR-04, DPAR-10, DPAR-12, DPAR-14, DPAR-16**

Maximum Load:

- DPAS-12 – 5,328lbs
- DPAS-14 – 6,047lbs
- DPAS-16 – 4,361lbs

- DPAR-10 – 3,540lbs
- DPAR-12 – 3,540lbs
- DPAR-14 – 4,204lbs
- DPAR-16 – 2,608lbs

DPAS: Daldorado Parallel Straight Grate

Grate is supplied in 1-foot sections ready to install. Always begin installation at a corner, connecting the initial 1-foot section to the Daldorado factory fabricated reinforced corner working clockwise around the perimeter of the pool from corner to corner. Do not attempt to meet in the middle. **Fig-1**

IMPORTANT: The horizontal ledge (or lip) must be level and even on both the vertical and horizontal directions. For best results use, **Daldorado PVC Curb Angle**. Minimum ledge (lip) is to be 1.25" wide and 1" in depth from deck surface finish.

NOTE: If grate is to be sloped, ledge (lip) must correspond across the gutter opening.

Install first Daldorado factory fabricated corner into the gutter with the connector pins going in the clockwise direction. Fasten down with Daldorado supplied 316-SS clips and screws and plastic anchor.

Fig-3

DALDORADO

NOTE: All corners must be fabricated by Daldorado LLC; If not fabricated by Daldorado, the manufacturers 10-year warranty is voided. For any corner that is not exactly 45 or 90-degree, Daldorado requires a **ridged material** (*plywood, masonry board preferred; foam board, core board only when necessary*) template or a Special-Corner-Order-Form (when applicable), for fabrication. Cardboard and other bendable materials are not acceptable. Templates must be cut to fit the corner in the same manner and shape as the grate; templates must be cut accurately and without jagged edges. Templates must be accompanied with a numbered pool plan corner location map showing the direction of the grate connector pins and marked with the number corresponding with the pool plan. The pool side, the deck side, the top, and the bottom, to ensure the fabricated corner is properly oriented.

Begin laying the grate into the gutter starting at the corner. DO NOT hammer the grate sections into each other and leave a small gap for thermal expansion between each section. The grate is designed to fit together “hand tight”. Fastening is only required at 10-foot intervals. Design Professionals and/or Building Inspectors may require more frequent fastening per design specifications. The Daldoardo grate is designed to BS EN 13451-1 2020 for Finger and Toe entrapment thus ensuring that the grate requires a tool to lift out. **Fig-2**

When installing the grate outdoors, a 5/16"(8mm) expansion joint should be provided at each corner and approximately every 20-feet thereafter to allow for thermal expansion and contraction due to weather temperature fluctuations. If a gutter drop-out access point is required **Fig-3**, calculate position ahead of installation, as this should be used as an ideal position to place an expansion joint. When a chosen position for either an access section or for an additional expansion joint, cut off the male pins cleanly from the side of the removable section of grate. Leave a 5/16"(8mm) gap before installing the next section. Fasten down both sides of the access section to eliminate possible tampering. To access under the grate, remove the fasteners and using tools, lift out the section of grate. **Fig-4 & Fig-5**

DPAR: Daldorado Radius Grate

Parallel Radius grate comes in 2 part types; (1) radial supports and (2) curved strips. The curved strips are snapped into the radial supports after the supports are installed. **Fig-6**

Beginning at one of the corners, set the radial supports into the gutter. The inside edge of the radius section will have the connector pins pushed closer together than the outside edge of the supports. Do not hammer the supports together but leave a 1/32" break for thermal expansion. Depending on the size of the radius, the radial supports will need to be fasten down about every 12" and alternating from deck side to pool side.

On tight radii, it is possible that you will need to shave some material off the inside male pins to acquire the desired radius. Any radii less than 3'-0" will require fabrication by Daldorado. A 1'-0" radii is the tightest radius that can be fabricated.

The curved strips come in 24" lengths and are joined using the male and female connectors. Assemble 3-4 of the curved strips and snap into place. You do not have to stagger splices and the radial supports will keep the strips in place so there is no need for adhesives.

DALDORADO

Cutting the Grate Section:

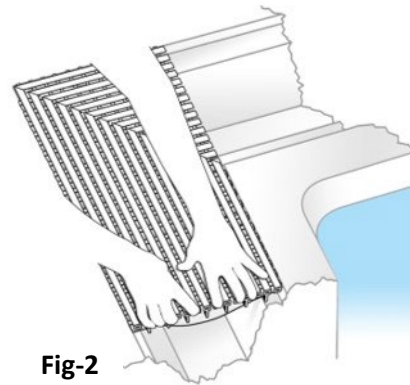
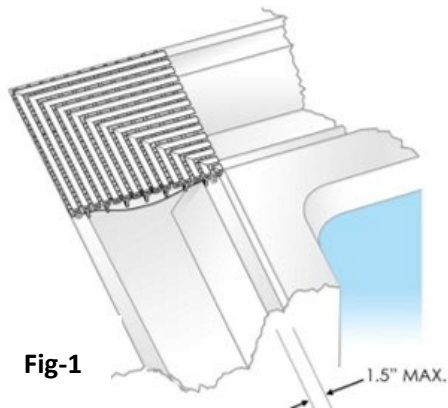
During installation, when arriving at a corner, a straight to radius/radius to straight transition, or a gutter ending, place a strip of masking tape across the grate and mark to the required length and angle. Using a circular saw with a fine-tooth blade (40 tooth minimum) at full speed, slowly cut the grate along the line. Always wear safety glasses during this process to avoid eye damage. When finished, buff any sharp edges with a fine sandpaper and install grate.

Cleaning and Maintenance:

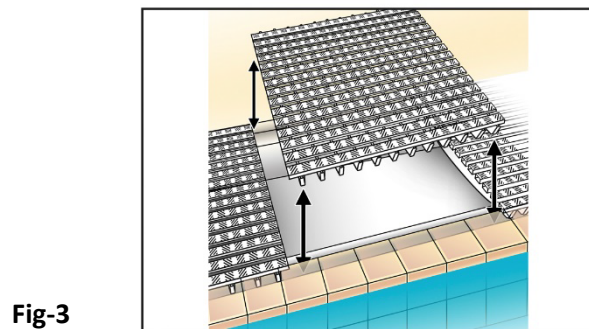
To keep the grate looking new, the grate must be maintained free of debris. A mild detergent with water and a brush will keep stains from occurring. DO NOT acid wash with harsh chemicals.

Regularly inspect the fasteners to ensure that the grate is properly secured to avoid any possible injuries.

DPAR & DPAS INSTALLATION: Begin installation at a corner.



ACCESS POINT & EXPANSION JOINTS:



DALDORADO

EXPANSION JOINTS AND CORNERS:

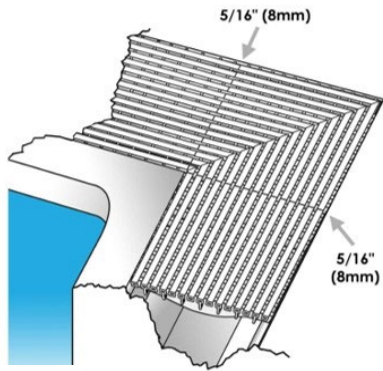


Fig-4

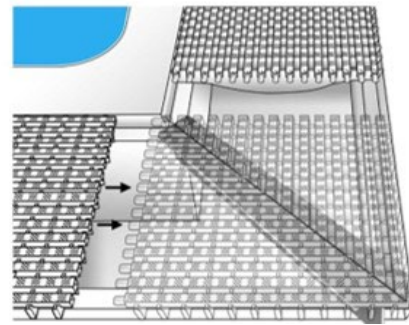


Fig-5

DPAR RADIUS SUPPORTS:

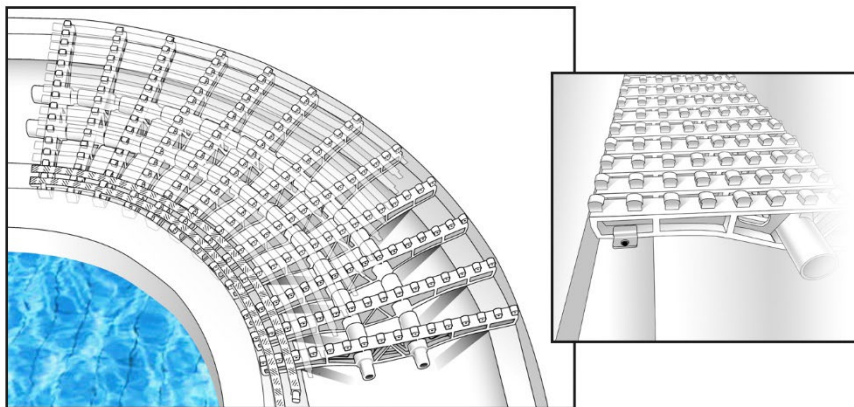
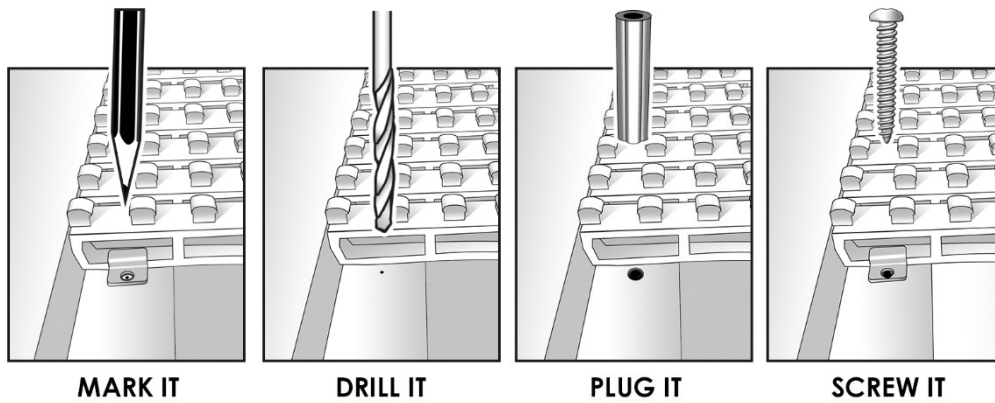


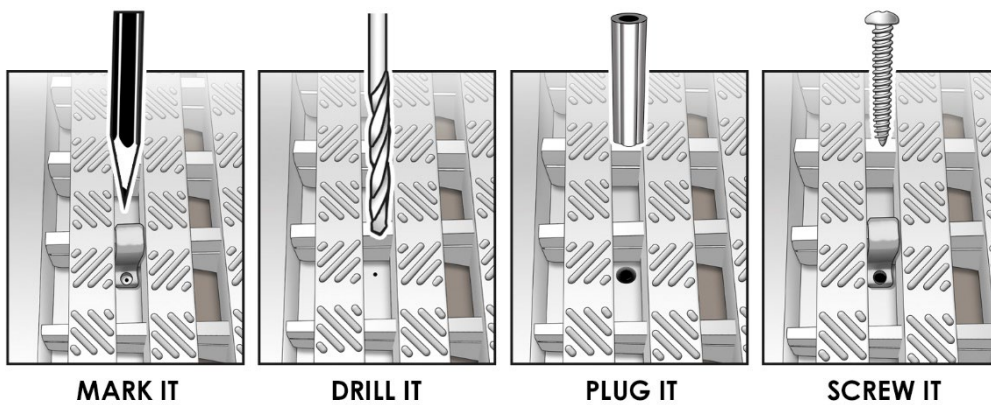
Fig-6

DALDORADO

DPAR FIXING: Fix radial supports using the screws and clips provided by Daldorado prior to inserting the radial strips of grating.



DPAS FIXING: Fix grate sections using the screws and clips provided by Daldorado.



DALDORADO, LLC., 4327 ARNOLD AVENUE, NAPLES, FL. 34104

For Inquiries or Assistance please call: (888)-509-8128