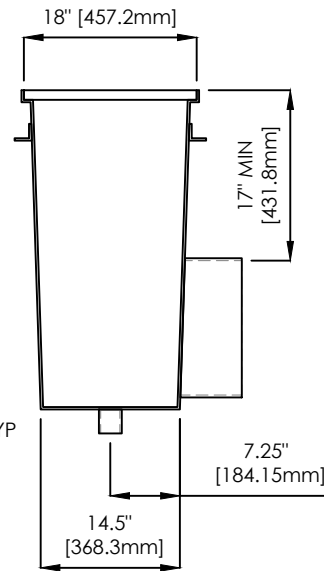
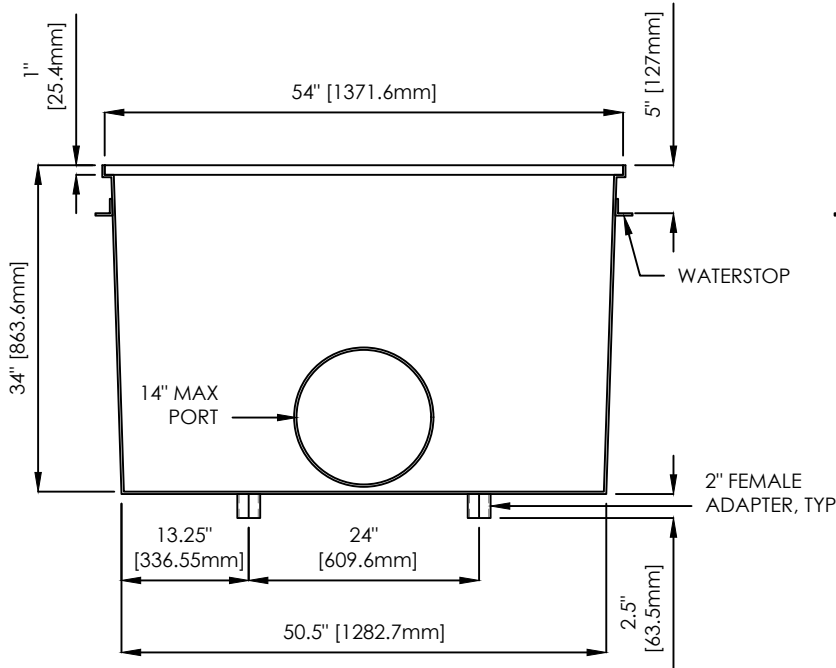
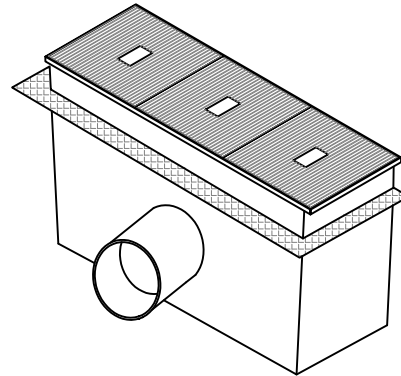
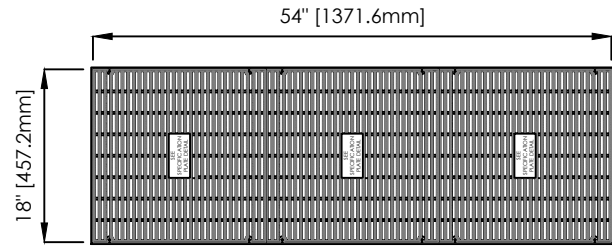


SPECIFICATION PLATE DETAIL

**CERTIFIED MAXIMUM FLOW RATE: FLOOR-4,412 GPM**



**GRATING: 25 YEAR SERVICE LIFE/10 YEAR WARRANTY**

**SUMP AND GRATE:** UNIT IS CERTIFIED TO APSP-16, 2011, AND DOES NOT REQUIRE FURTHER CERTIFICATION AND IS CORROSION RESISTANT, NON-CONDUCTIVE, NON-MAGNETIC, REQUIRES NO BONDING.

**SUMP:** FABRICATED USING 8-OZ FIBERGLASS MATTE AND WHITE MARINE GRADE GEL COAT (APPLIED INSIDE ONLY). A 2-INCH WATERSTOP IS LOCATED 5" BELOW TOP LIP OF SUMP AROUND THE OUTSIDE PERIMETER. TWO 2-INCH SCH-40 FEMALE ADAPTERS ARE PRE-INSTALLED AT THE BOTTOM OF THE SUMP FOR HYDROSTATIC VALVE CONNECTION. SUCTION OUTLETS TO BE 14-INCHES, OR SMALLER DIAMETER, AND ARE PLACED A MINIMUM OF 17-INCHES FROM TOP OF SUMP. THERE MAY BE MULTIPLE SUCTION OUTLETS PROVIDED THE TOTAL COMBINED FLOW RATE DOES NOT EXCEED THE STATED CERTIFIED MAXIMUM FLOW RATE OR THE UNIT. SUCTION FITTINGS MAY BE ANY OF THE FOLLOWING: THREADED, FLANGED, SCH-40 OR SCH-80 OR ANY COMBINATION.

**GRATE:** FORMED OF MOLDED PVC (GEORGIA GULF 7140 WHITE, BY WESTLAKE CORP.) CERTIFIED WITH NSF/ANSI 50 AND UV STABILIZED. THE TOP SURFACE OF THE GRATE HAS A RAISED DESIGN THAT MEETS IBC FOR SLIP RESISTANCE. GRATE SECTIONS ARE 0.20-INCHES (5mm) WIDE AND 1-INCH (25.4mm) AVG. DEPTH FOR LOAD STRENGTH REQUIREMENTS. GRATE IS CERTIFIED UNDER APSP-16, 2011. SPACE BETWEEN GRATE BARS DOES NOT EXCEED 0.39-INCHES (10mm). GRATE PROVIDES A MINIMUM 62% OPEN AREA FOR UNRESTRICTED WATER FLOW.

**INSTALLATION:** FOLLOW DALDORADO INSTALLATION INSTRUCTIONS AND WARNINGS SUPPLIED WITH SUMP AND GRATE UNIT. GRATE MUST BE INSTALLED WITHIN SUMP USING ONLY THE BRASS MACHINE SCREWS, TESTED TO APSP-16, 2011, INTO 316-SS DROP IN ANCHORS, AS SUPPLIED BY DALDORADO WITH THE SUMP AND GRATE UNIT, NO OTHERS ARE PERMITTED.

DalMAX-SG-185434				
TOTAL GPM				
**PORT LOCATION(S)	SIDE	BOTTOM		
PIPE SCHEDULE-PVC	40	80		
NUMBER OF PORTS				
PORT(S) SIZE	4	6	8	10 12 14
GRATE COLOR	WHITE		BLACK	
OTHER INFO				
*WRITE IN OR CIRCLE APPLICABLE INFORMATION				
**REFER TO SUBMITTAL ORDER FORM FOR PORT LOCATIONS				

All drawing dimensions supplied by Daldorado are for reference only. All drawings are saved in a (\*.dwg) file format and are provided as a service to our customers. Errors on occasion may occur when opening a file due to software incompatibility. Daldorado or any authorized distributor of our products will not be held responsible from files which have been converted and does not warrant the documents against deficiencies or typographical errors of any kind. We recommend that all measurements are verified with the actual physical product before any custom fabrication in the field occurs.

Product: 18x54x34 Sump & Grate Package

Product #: DalMAX-SG-185434

Material: FG/PVC Rev Date: 06/01/19

Color: PER TABLE Rev By: EN



4327 Arnold Ave, Naples, FL 34104  
Phone: 888.509.8128  
www.daldorado.com