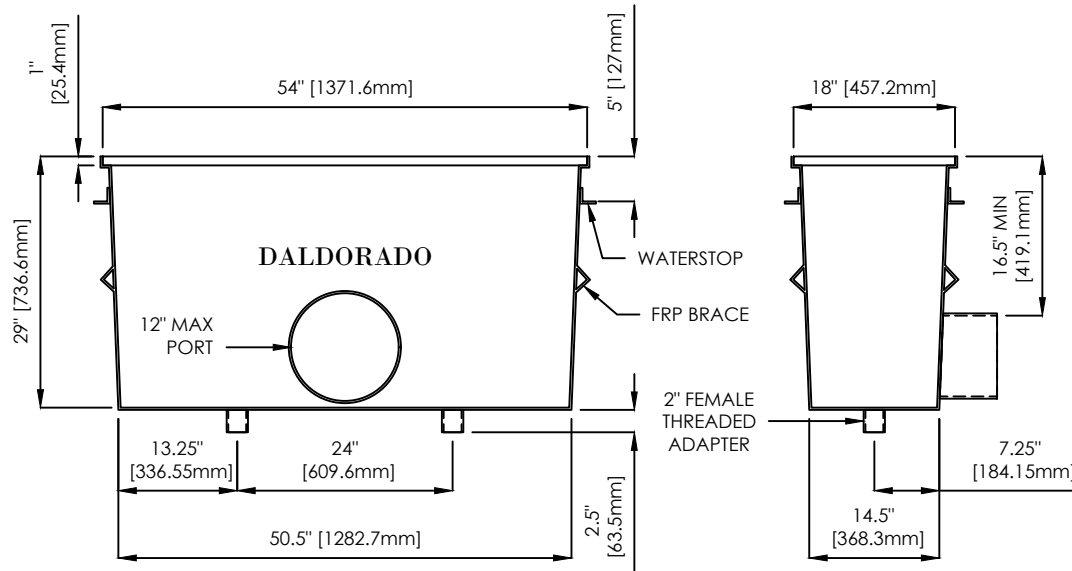
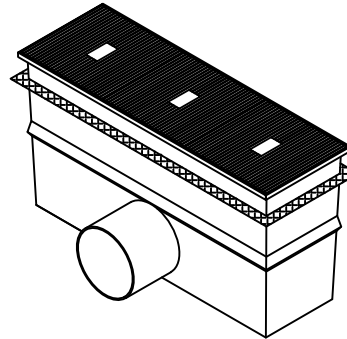
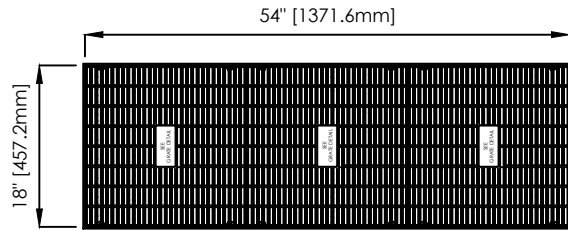


**CERTIFIED MAXIMUM FLOW RATE:
FLOOR-2,944 GPM WALL-2,872 GPM**

GRATE DETAIL



SUMP AND GRATE: UNIT IS CERTIFIED TO APSP-16 2017 AS A SOFA AND DOES NOT REQUIRE FURTHER CERTIFICATION. IT IS CORROSION RESISTANT, NON-CONDUCTIVE, NON-MAGNETIC, AND REQUIRES NO BONDING.

SUMP: FABRICATED WITH 8-OZ FIBERGLASS MAT AND WHITE MARINE GRADE GEL COAT (APPLIED INSIDE ONLY). A 1.5" FRP WATER STOP IS LOCATED 5" BELOW TOP LIP OF SUMP AND A 1.5" FRP BRACE IS APPLIED, BOTH AROUND THE OUTSIDE PERIMETER. TWO (2) 2" SCH-40 FEMALE THREADED ADAPTERS ARE INSTALLED STANDARD ON THE BOTTOM OF THE SUMP FOR HYDROSTATIC VALVE CONNECTION. THE MAXIMUM SIDE PORT SIZE IS 12", AND PORT SIZES > 12" ARE PERMITTED TO BE LOCATED ON THE BOTTOM. ANY CONFIGURATION OF MULTIPLE PORTS OF ANY SIZE IS PERMITTED PROVIDED ALL SIDE PORTS ARE <= 12". THE CERTIFIED MAXIMUM FLOW RATE FOR THE SOFA MUST NOT BE EXCEEDED. "DALDORADO" IS STENCILED ON THE BODY, AND IDENTIFYING MARKS (DALDORADO, MODEL, LIFE, MANUFACTURE DATE) ARE IMPRINTED ON THE GRATE LEDGE.

PORTS MAY BE SCHEDULE 40 OR 80, TYPE SLIP COUPLING, THREADED FEMALE ADAPTER, OR FLANGE COUPLING.

GRATE: THREE (3) 18" x 18" GRATES FORMED OF MOLDED PVC (GEORGIA GULF 7140 WHITE, BY WESTLAKE CORP.) CERTIFIED TO NSF/ANSI 50, APSP-16 2017, AND UV STABILIZED. THE TOP SURFACE OF THE GRATE HAS A RAISED DESIGN THAT MEETS IBC FOR SLIP RESISTANCE. GRATE SECTIONS ARE 0.20-INCHES (5mm) WIDE AND 1-INCH (25.44mm) AVG. DEPTH FOR LOAD STRENGTH REQUIREMENTS. SPACE BETWEEN GRATE BARS DOES NOT EXCEED 0.39-INCHES (10mm). GRATE PROVIDES A MINIMUM 62% OPEN AREA FOR UNRESTRICTED WATER FLOW.

INSTALLATION: FOLLOW DALDORADO SUPPLIED INSTALLATION INSTRUCTIONS AND WARNINGS. GRATE MUST BE INSTALLED WITHIN SUMP USING ONLY THE 316-SS MACHINE SCREWS (TESTED TO APSP-16 2017) AS SUPPLIED BY DALDORADO. NO OTHERS ARE PERMITTED.

DalMAX-SG-185429 OPTIONS	
TOTAL GPM	2944 FLOOR, 2872 WALL
PORT CONFIGURATIONS	ANY PER NOTES ABOVE
PIPE SCHEDULE-PVC	40 80
MAX PORT SIZE, SIDE	12"
MAX PORT SIZE, BOTTOM	ANY
GRATE COLOR	WHITE
ANY P.O. SUBMITTAL MUST BE ATTACHED TO ORDER FORM	

**SUMP LIFE: LIFE OF THE AQUATIC FACILITY
GRATES AND FASTENERS: 25 YEAR SERVICE LIFE/10 YEAR WARRANTY**

All drawing are saved in a *.dwg format and are provided as a service to our customers; dimensions supplied by DalDorado are for reference only. DalDorado or any authorized distributor of our products will not be held responsible from files which have been converted and does not warranty the documents against deficiencies or typographical errors of any kind. All measurements of the actual product must be verified before any custom fabrication in the field occurs. COPYRIGHT: This document is the property of DalDorado, LLC and is provided on an in-confidence basis, it may not be copied or reproduced without the permission of DalDorado or its authorized agent.

Product:	18x54x29 Sump & Grate Package	
Product #:	DalMAX-SG-185429	
Material:	FG/PVC	Rev Date: 11/24/2020
Color:	WHITE	Rev By: JW BERGER

DALDORADO

4327 Arnold Ave, Naples, FL 34104
Phone: 888.509.8128
www.daldorado.com