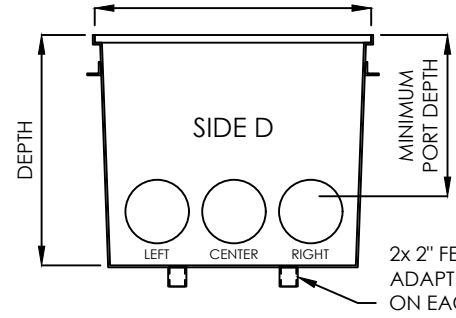
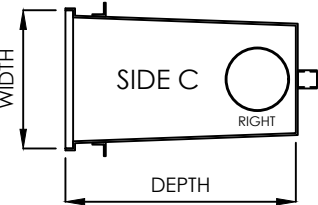
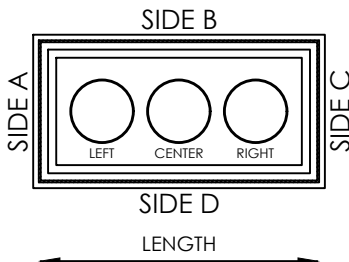
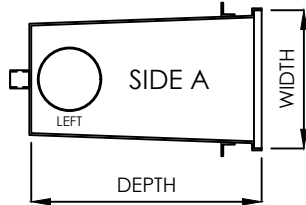
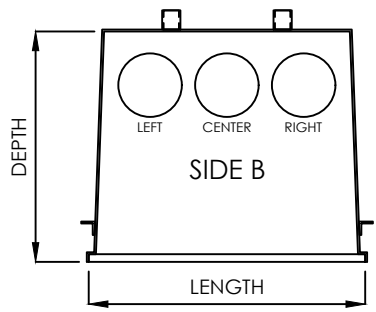


**ONE COMPLETED, SIGNED FORM  
PER INDIVIDUAL SUMP IS REQUIRED**



2x 2" FEMALE THREADED ADAPTERS STANDARD ON EACH SUMP

PRODUCT INFORMATION	
WIDTH	18"
LENGTH	36"
DEPTH - APSP-16 2017 SUMP	28"
MAX. SIDE PORT SIZE	10"
MIN. PORT OPENING DEPTH	16.5"

- NOTES:
- SUMP AND GRATE UNIT IS VGB 2017 COMPLIANT AND CERTIFIED BY IAPMO TO APSP-16 2017
  - PORTS CANNOT EXCEED THE MAXIMUM SIZE PER TABLE
  - PORTS SIZES > 10" ARE PERMITTED WHEN LOCATED ON THE BOTTOM

**NOTES**

---

CUSTOMER SIGNATURE: \_\_\_\_\_  
DATE: \_\_\_\_\_

TABLE OF SUMP ORDER FORM DETAIL - ONE FORM PER SUMP											
PORT LOCATION	SIDE A	SIDE B			SIDE C	SIDE D			BOTTOM		
SELECT LOCATION		LEFT	CENTER	RIGHT		LEFT	CENTER	RIGHT	LEFT	CENTER	RIGHT
PORT SIZE - INCHES											
TYPE OF PORT	SELECT PORT TYPE	SLIP COUPLING			THREADED ADAPTER			OTHER			
PIPE SCHEDULE	SELECT PORT SCHEDULE	SCH-40			SCH-80						

All drawing are saved in a \*.dwg format and are provided as a service to our customers; dimensions supplied by Daldorado are for reference only. Daldorado or any authorized distributor of our products will not be held responsible from files which have been converted and does not warranty the documents against deficiencies or typographical errors of any kind. All measurements of the actual product must be verified before any custom fabrication in the field occurs. COPYRIGHT: This document is the property of Daldorado, LLC and is provided on an in-confidence basis, it may not be copied or reproduced without the permission of Daldorado or its authorized agent.

Product: 18x36x28 Sump & Grate Order Form	
Product #: DalMAX-SG-183628	
Material: FG/PVC	Rev Date: 11/12/2020
Color: WHITE	Rev By: JW BERGER

**DALDORADO**

4327 Arnold Ave, Naples, FL 34104  
Phone: 888.509.8128  
www.daldorado.com