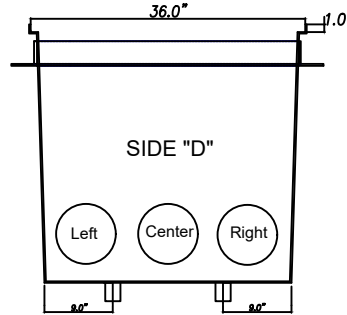
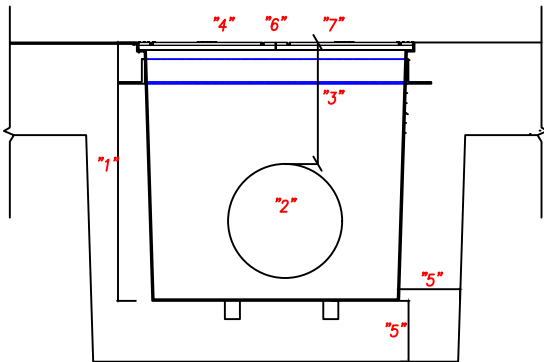
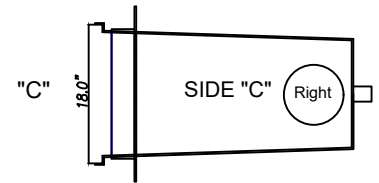
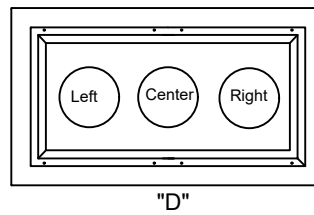
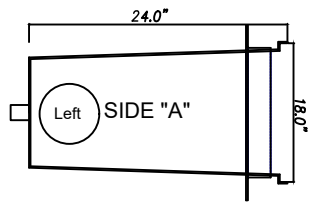
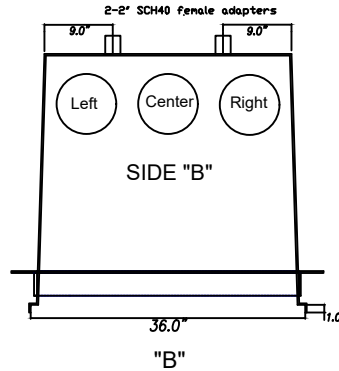




18" X 36" X 24" FIBERGLASS SUMP & GRATE SUBMITTAL ORDER FORM

"1"	APSP-16 2011 SUMP DEPTH	24"
"2"	LARGEST PIPE SIZE	8"
"3"	MINIMUM PORT DEPTH	17"
"4"	SERVICE LIFE:COVER	25 years
"5"	SHELL THICKNESS	0.2"
"6"	MAXIMUM FLOW RATE FLOOR	1984GPM
"7"	MAXIMUM FLOW RATE WALL	1440GPM

INSTRUCTIONS:
Only 1 sump per form.



PORT LOCATION	SIDE "A"	SIDE "B"			SIDE "C"	SIDE "D"			BOTTOM		
		Left	Center	Right		Left	Center	Right	Left	Center	Right
PORT SIZE											
TYPE OF PORT											
IF THREADED PURCHASE REUSABLE PLUG?											
SCH 40 or SCH 80											

ALL PORTS MUST BE 8 INCH OR SMALLER
TYPE OF PORTS: COUPLINGS, FEMALE ADAPTERS, FLANGES
THESE CAN BE EITHER SCH 40 OR SCH 80 PVC

CUSTOMER SIGNATURE _____

Revised 03/06/2019
ADC



4327 Arnold Ave., Naples, FL 34104 www.daldorado.com
Phone(888)509-8128 Fax(239)280-5567